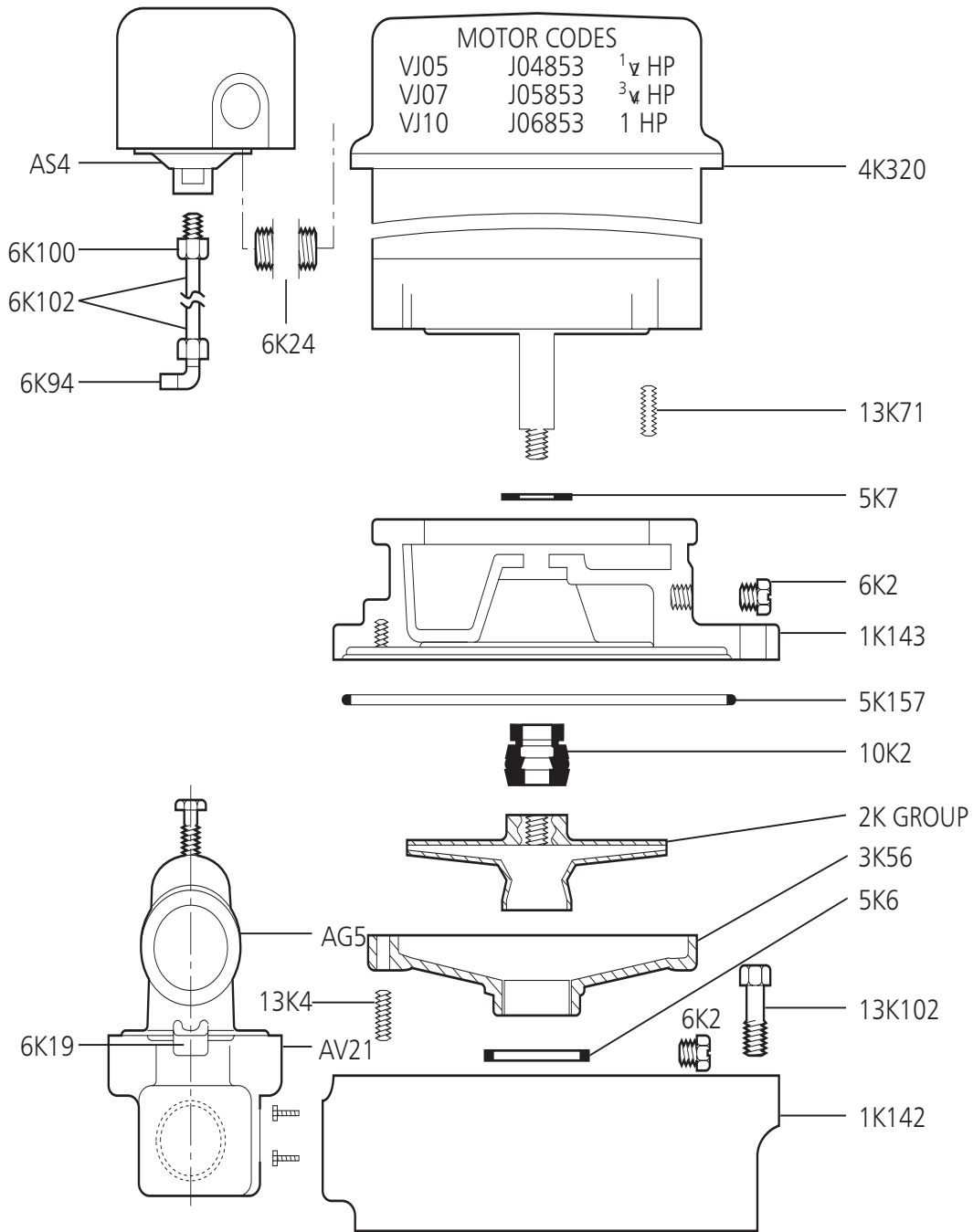


VJ REPAIR PARTS

Part No.	Part Name	Pattern No.
1K142	Casing	59202
1K143	Motor adapter	59014
2K61	Impeller ¾ and 1 HP	2K GROUP
2K204	Impeller ½ HP	
3K56	Guidevane - ½, ¾, 1 HP	
4K230	Drip cover - 48FR (A.O. Smith motor)	
5K6	Seal ring - guidevane	
5K7	Deflector	
5K157	O-ring	
6K2	Plug ¼ NPT	
6K19	Reducing bushing ¾" x ¼" (for AG5)	
6K24	Switch connector with nut	
6K94	Elbow fitting (tubing)	
6K100	Straight fitting (tubing)	
6K102	Tubing	
10K10	Shaft seal assembly	
13K4	Screw - guidevane	
13K71	Bolt - motor adapter to motor	
13K102	Bolt - casing to motor adapter	
AG5	Pressure gauge	54382
AS4	Pressure switch	
AV21	Pressure control valve	



Xylem Inc.

2881 East Bayard Street Ext., Suite A, Seneca Falls, NY 13148

Phone: (866) 325-4210 Fax: (888) 322-5877

www.xyleminc.com/brands/gouldswatertechnology

